

# 0-10V to Phase Load Dimmer with 12V Aux Output

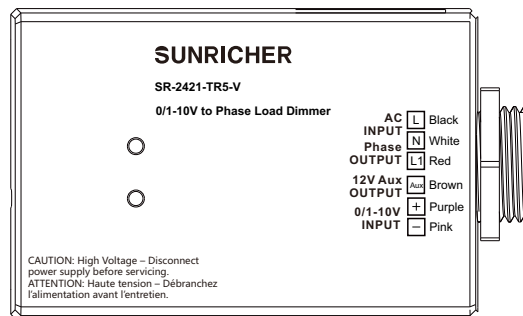
Important: Read All Instructions Prior to Installation



## Features

- 0-10V to Phase load dimmer, signal converter
- Standard 1/2" knockout design, easy to integrated to a junction box
- Built-in 0/1-10V interface
- Compatible with universal 0/1-10V signal
- Integrated 12V Aux power supply output enables users to connect sensors and IoT applications.
- Work with our BLE to 0-10V load dimmer to realize more convenient and flexible control
- Support reverse edge(trialing edge) type driver
- UL listed. Category: PAZX (Management Equipment, Energy). UL 2043 Plenum Rated
- Waterproof grade: IP20
- 5 years warranty

## Product info



## Parameters

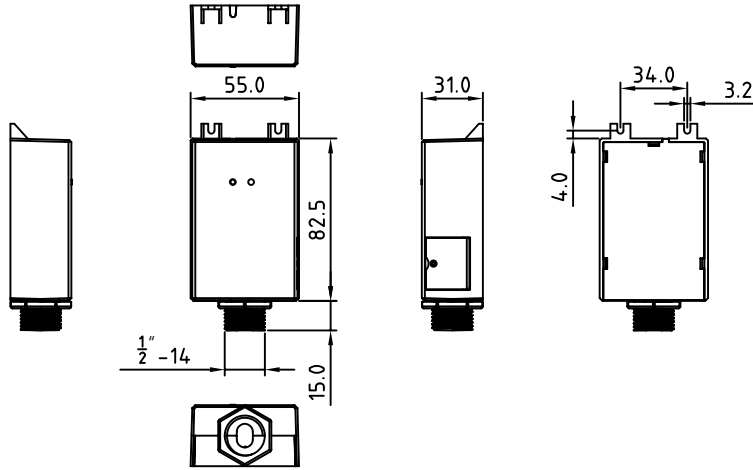
Input	Power	100-277VAC
	Signal	0-10V
Output, Aux. Power	VDC/ma	12V, Max. 80mA
Control, Phase Dimming	Line Voltage	100-277VAC
	Current	Max. 2.1A
Environment	Operating Temperature	0°C-+40°C
	Relative Humidity	8% to 80%
Others	Size	82.5*55*31mm

## Compatible Load Types

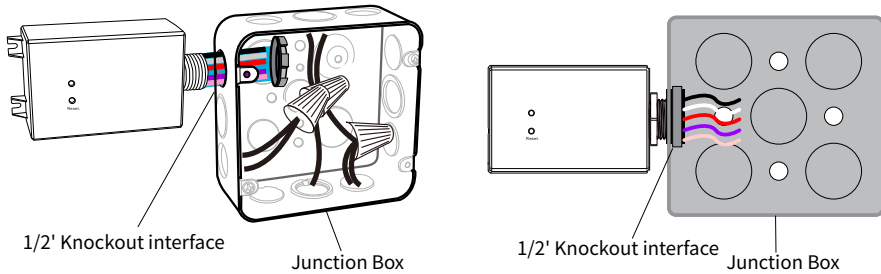
Load Symbol	Load Type	Maximum Load	Remarks
	Incandescent lighting HV Halogen lamps	1*252W@120V 1*504W@240V 1*415W@277V	
	Low voltage halogen lighting with electronic transformers	1*252W@120V 1*504W@240V 1*415W@277V	
	Dimmable LED lamps	1*126W@120V 1*252W@240V 1*207W@277V	
	Dimmable LED Drivers	1*126W@120V 1*252W@240V 1*207W@277V	

Warning DO NOT expose the device to moisture.  
DO NOT install with power applied to device.  
DO wiring according to connection diagram.

## Dimension

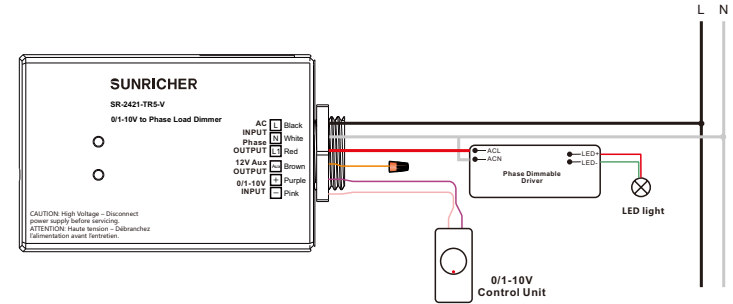


## Installation

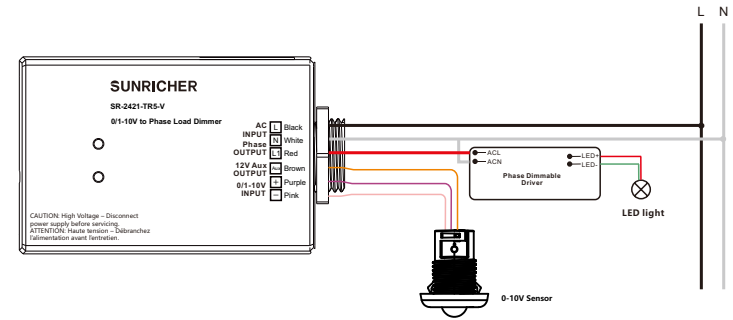


## Wiring

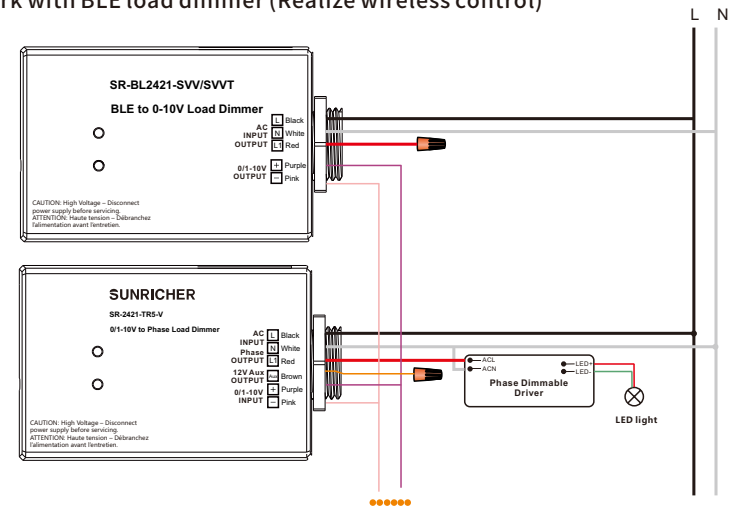
### 0-10V Dimmer controls Phase Driver



### BLE 0-10V sensor control Phase Driver (Realize wireless control)

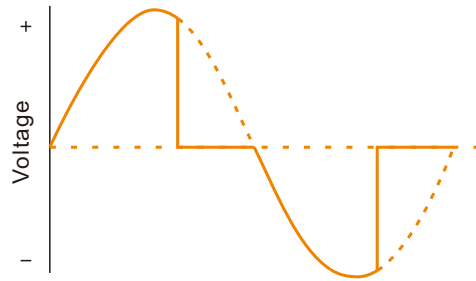


### Work with BLE load dimmer (Realize wireless control)



## Dimming

Reverse-phase control



Note: The default is reverse-phase dimming, which could be forward-phase based on requirements.

### Update Log

Date	Version	Update Content	Update by
2024-7-23	V1.3	Parameter Update	Romeo

Subject to change without notice. Please contact us if you have any questions.